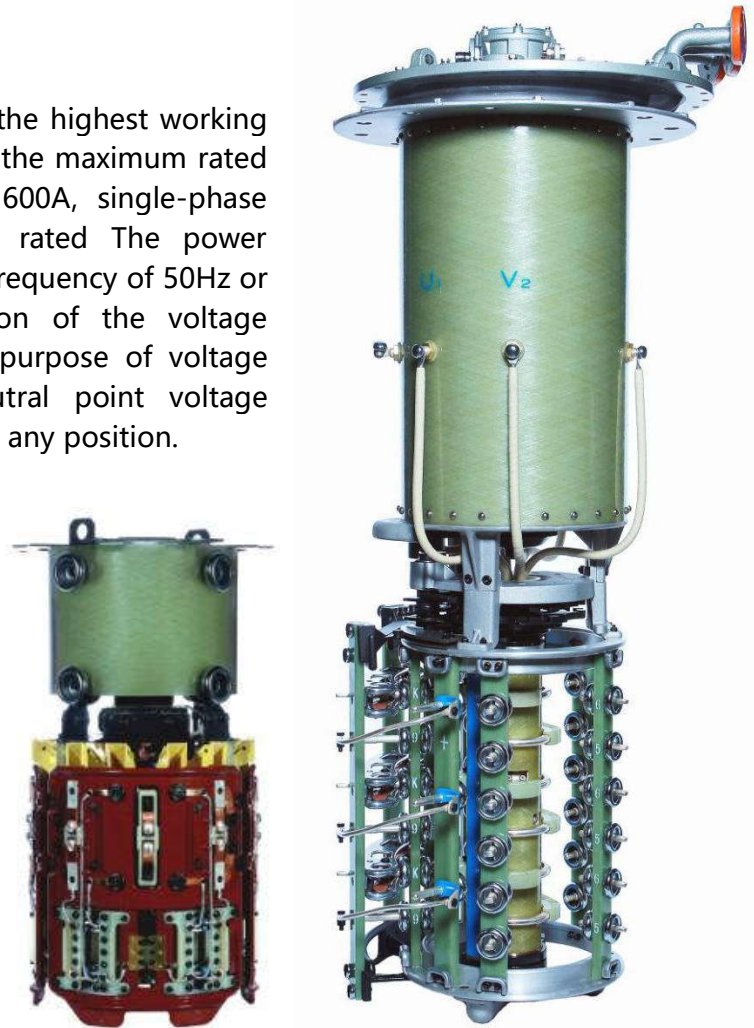


◎ Product Introduction

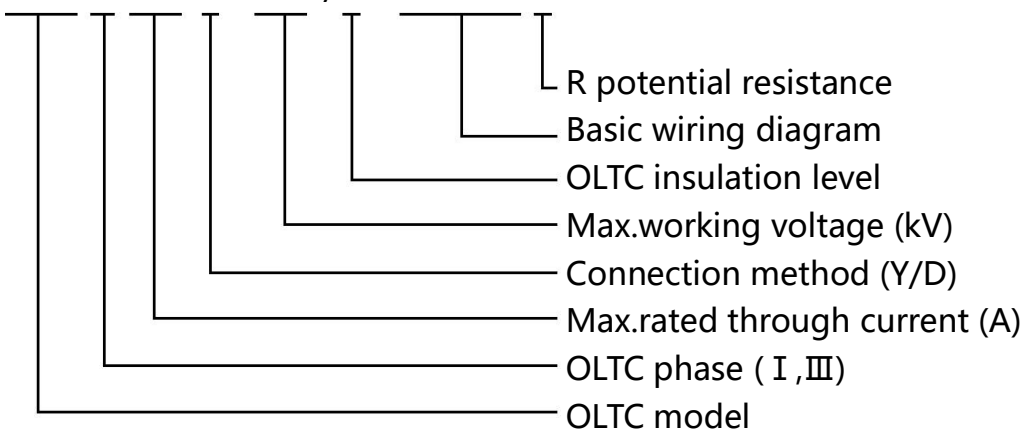
The ZM on-load tap-changer is suitable for the highest working voltage 40.5kV, 72.5kV, 126kV, 170kV, 220kV, the maximum rated through current three-phase 300A, 500A, 600A, single-phase 300A, 500A, 600A, 800A, 1200A, 1500A, rated The power transformer or industrial transformer with a frequency of 50Hz or 60Hz changes the tap connection position of the voltage regulating coil under load to achieve the purpose of voltage regulation. Suitable for Y-connection neutral point voltage regulation, single-phase voltage regulation at any position.

The ZM on-load tap-changer is a combined on-load tap-changer, which is composed of a diverter switch and a tap selector. It has the characteristics of large breaking capacity, long contact life, high working reliability, and wide application range, especially many Level linear adjustment and multi-level coarse and fine adjustment are suitable for industrial transformers that require a wide range of voltage adjustment in metallurgy and chemical industries.



◎ Model Description

ZM III 500 □ -72.5 / C - 10193W R



© ZM Technical Data

Item	Specifications	III300	III500	III600	I301	I501	I601	I800	I1200	I1500	
1	Max.rated through current (A)	300	500	600	300	500	600	800	1200	1500	
2	Rated frequency (Hz)	50 or 60									
3	Phase & connection method	3 phase neutral point of Y connection Single phase for any connection model									
4	Max.rated step voltage (V)	3300									
5	Rated step capacity(kVA)	1000	1400	1500	1000	1400	1500	2640	3100	3500	
6	Withstand short circuit capacity (kA)	Thermal (3s)	6	8	8	6	8	8	16	24	24
		Dynamic (peak)	15	20	20	15	20	20	40	60	60
7	Operating positions	Linear regulating: 7,10,12,14,16,18,22,34 Reversing regulating: $\pm 3 \sim \pm 17$									
8	Insulation level of tap changer (kV)	Rated voltage	35	66	110	150	220				
		Max. service voltage	40.5	72.5	126	170	252				
		Power frequency withstand voltage (50Hz, 1min)	48	140	230	325	460				
		Rated lightning impulse withstand voltage (1.2/50 μ s)	200	350	550	750	1050				
9	Tap selector	4 Grades of A, B,C,D according to insulation level									
10	Mechanical life	≥ 800000 times									
11	Electrical life	≥ 200000 times									
12	Diverter switch Oil chamber	Work pressure	3×10^4 Pa								
		Sealing performance	No leakage under 6×10^4 Pa for 24 hours								
		Overpressure protection	Blasting cap blast at $(4 \sim 5) \times 10^5$ Pa								
		Protection relay	QJ4-25 oil flow speed set at 1.0m/s $\pm 10\%$								
13	Oil displacement (L)	About 190~270									
14	Oil filling capacity (L)	About 125~190									
15	Weight (KG)	About 240~350									
16	With motor driver mechanism	ZD/MAE/MA7B									

Note:

1. The stage capacity is equal to the product of the stage voltage and the load current, and the rated stage capacity is the maximum stage capacity allowed continuously.
2. When selecting the single-phase switch formed by the parallel connection of the three-phase tap switch contacts, the transformer coil shunt should be considered, ZMI800 two-way shunt, ZMI1200, I1500 three-way shunt.
3. The single-phase linear regulating OLTC with 34 working positions has only: I500A, I800A, I1500A.